



## GENUINE ACCESSORIES

# INSTALLATION INSTRUCTIONS

**1. DESCRIPTION:** MOONROOF WIND DEFLECTOR

**2. APPLICATION:** 2009 > Mazda5, Mazda6, MazdaCX-7, MazdaCX-9  
2010 > Mazda3  
2013 > MazdaCX-5

**3. KIT CONTENTS:**

<u>Item No.</u>	<u>Qty</u>	<u>Description</u>
1)	1	Moonroof deflector
2)	3	Philips head screws
3)	3	Nylon washers
4)	3	Nylon nuts
5)	2	Side Brackets
6)	1	Center Bracket
7)	2	Protective Tape
8)	3	Alcohol Pad

**4. TOOLS REQUIRED:**



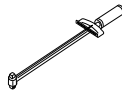
Car Wash  
Supplies



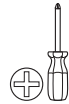
Scissors



Shop  
Towel



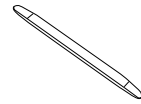
Torque  
Wrench



Philips Head  
Driver



Masking  
or Scotch  
Tape



Fiber  
Stick

**5. INSTALLATION PRECAUTIONS / NOTES:**

- Read all instructions carefully before beginning the installation.
- To avoid damaging the surface, never use ammonia-based cleaners or solvents to clean your moonroof deflector.
- Clean with a solution of mild dishwashing soap and water using a soft cloth or chamois.
- To remove fine scratches and restore the original luster, use a high-quality plastic cleaner.

# INSTALLATION INSTRUCTIONS - MOONROOF WIND DEFLECTOR

## 6. INSTALLATION PROCEDURE

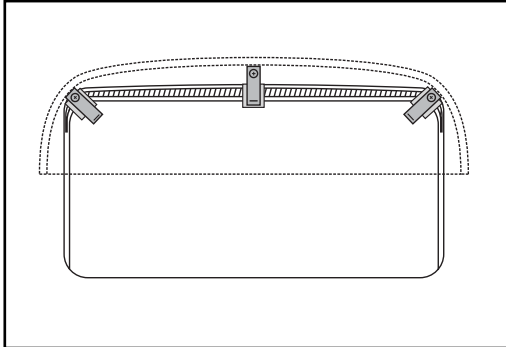


Fig. 1

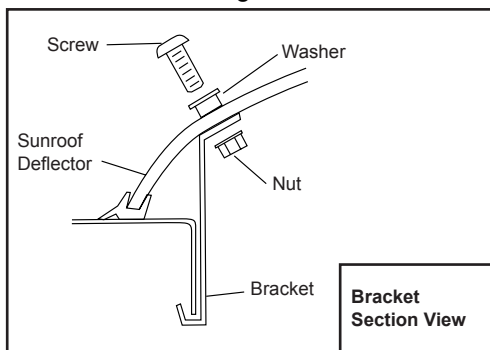


Fig. 2

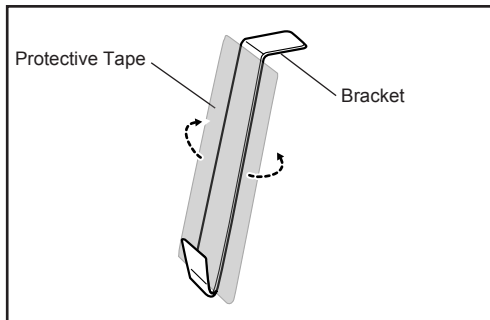


Fig. 3

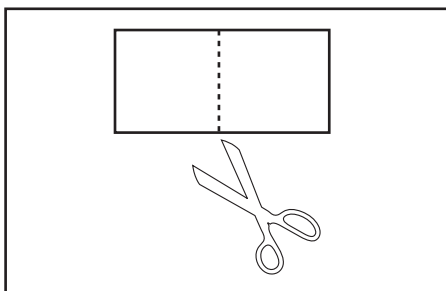


Fig. 4

### 1) Preparation

a) Clean the roof area to be covered.

b) Open the moonroof.

c) Push a shop towel or rag into the opening between the sheet metal flange and the factory wind breaker. Use the towel to hold down the factory windbreaker to make it easier to work on during the bracket installation.

d) Thoroughly clean the locations where the brackets will mount. See Fig. 2

e) Wrap one of the protective tape pieces around the center bracket ensuring to get the edge into the "V" of the bracket. See Fig. 3

f) Using scissors cut the other piece of protective tape in half. See Fig. 4

g) Wrap one half on each side bracket just like the center bracket.

# INSTALLATION INSTRUCTIONS - MOONROOF WIND DEFLECTOR

## 6. INSTALLATION PROCEDURE (CONTINUED)

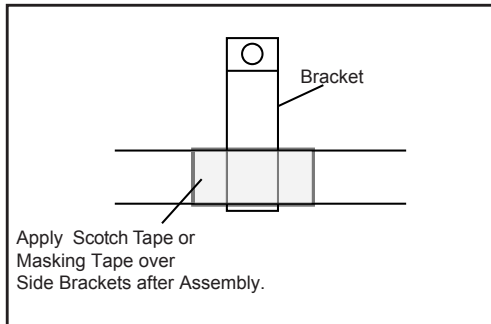


Fig. 5

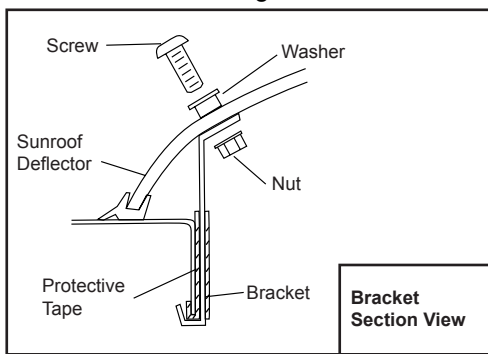


Fig. 6

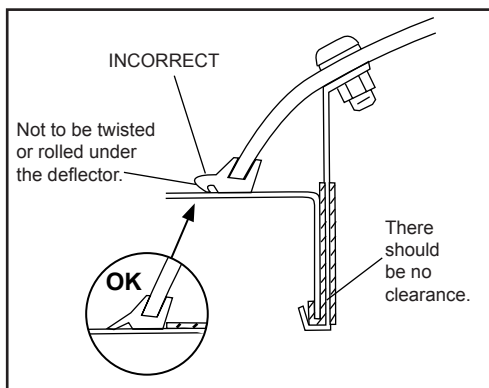


Fig. 7

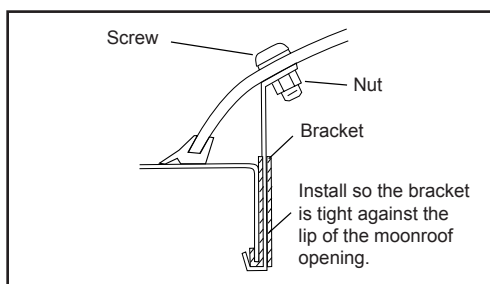


Fig. 8

### 2) Installation

- a) Using masking or scotch tape, tape the center bracket in place at the center of the moonroof (as shown in Fig. 5 to hold it in place for the wind deflector installation.
- b) Set the moonroof deflector on the vehicle's roof slightly forward of moonroof opening. Adjust its position so the center hole in the deflector is aligned with the bracket hole.
- c) While holding the deflector in place, install the washer, screw, and nut. Ensure bracket remains hooked to the lip of the sunroof opening. Do not tighten the screw yet.
- d) Remove masking or Scotch tape used to hold bracket in place.
- e) Position the moonroof deflector with equal spacing on all sides. Check that the rubber seal is not twisted or rolled under the deflector.
- f) Install side brackets.
- g) Slide a non-marking fiber stick under the deflector from the back side to straighten the gasket if needed.
- h) Insure all brackets are contacting the sheet metal and tighten the nuts and screws. Center 1st, Driver Side 2nd, Passenger Side 3rd. Torque the screws to 10-12 in. lbs. To prevent damage to the nylon nuts, do not overtighten.

# INSTALLATION INSPECTION SHEET

## WIND DEFLECTOR

0000 8P H20 (Mazda6)

0000 8P L20 (Mazda3)

0000 8P M20 (CX-7)

0000 8P N20 (CX-9)

0000 8P L40 (Mazda5)

0000 8P R02 (CX-5)

### Inspection after installation

- Inspect the installed / reinstalled parts for the following items.

Inspection Parts	Check Item (O)			
	Clearance/Fit	Scratches/Dirt	Installation/ Engagment	Operation check
Wind deflector	○	○		
Gasket	○		○	
Center bracket			○	
Outer brackets			○	

### Important check items

- Inspect the installed / reinstalled parts for the following items.

Page No.	Part name	Tightening torque	Check & write the tightening torque	Person in charge
Center bracket Installation Step 2q (pg. 3)	Screw	10.0-12.0 in-lb	in-lb	
Outer bracket Installation Step 2q (pg. 3)	Screw	10.0-12.0 in-lb	in-lb	

Installation inspection sheet for wind deflector

Date:		
VIN:		
Approved	Checked	Person in charge

The term of validity for this sheet: 12 months